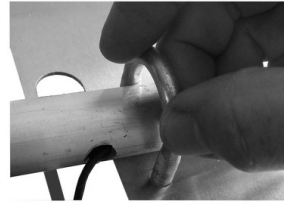
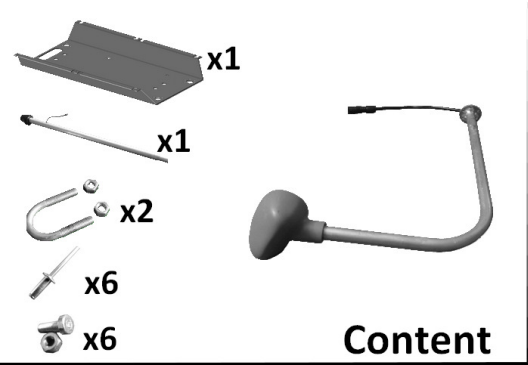
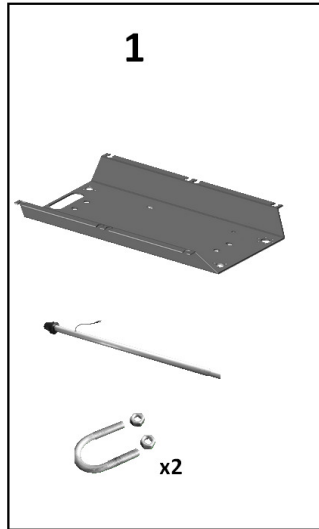


e-GLEEK by ADVANSEE ASSEMBLY INSTRUCTION (EN)



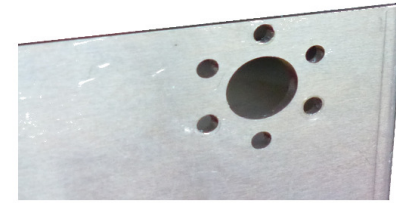
a) Align the antenna tube with the metal plate



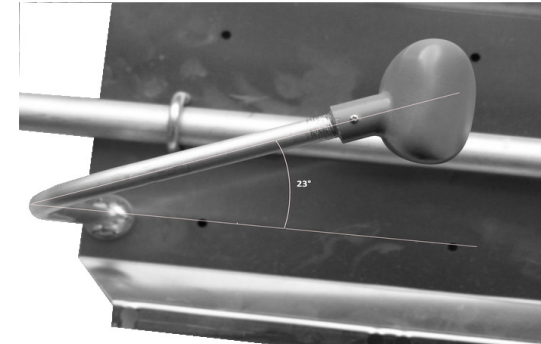
b) Fix the pipe with the two brides.
Take care at the antenna cable which must pass through the ovale hole.



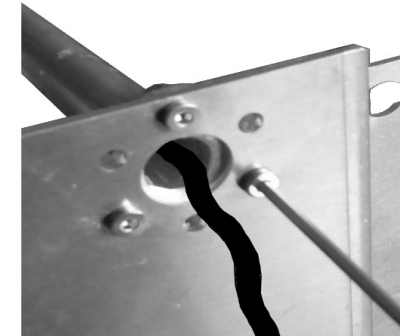
c) Tighten the fixing bolts.



d) Use the 6 bolts to fix the optic pipe to the metallic plate
* You can use the rivets instead



e) Adjust the pipe to get a 23° (the center of the camera should be aligned with the metallic plate axis).



f) Tighten the fixing bolts.



g) Connect the Camera cable to the grey box 4-pins connector